



www.shearline.com

Parts and Tools List

Blower
 Blower bag
 Inner blower bag
 Diverter
 Dump Diverter *
 4" Flex hose (2)
 4" Hose clamp (4)
 5" Flex hose
 5" Tube
 5" Hose clamp (3)

Caster wheels (4)
 Aluminum plates (3)
 3/8" Locking nuts (6)
 3/8" Washers (6)
 3/8" - 1-1/4" Bolts (6)

 3/32" T-handle allen wrench
 5/32" T-handle allen wrench
 1/8" T-handle allen wrench
 3/16" T-handle allen wrench

BLOWER ASSEMBLY

⚠ 220V
 Operate at 220V only!

Shearline™ Original

STEP 1
 Attach 4" FLEX HOSES to DIVERTER and SHEARLINE™ ORIGINAL
 Secure with 4" hose clamps

STEP 2
 Press DIVERTER (& DUMP DIVERTER) into BLOWER
 Dump Diverter
 Diverter
 Screw
 Inner Blower Bag
 Blower
 Requires cleaning See page 2

STEP 3
 Insert INNER BLOWER BAG into BLOWER BAG
 Inner Blower Bag
 Blower Bag
 Put Inner Blower Bag inside

STEP 4
 Attach BOTH BAGS to the BLOWER
 Secure with 5" hose clamps

Get more in-depth instructions and manuals at www.Shearline.com

Flip for Page 2

BLOWER CLEANING & ASSEMBLY

For optimal performance clean after each day of operation

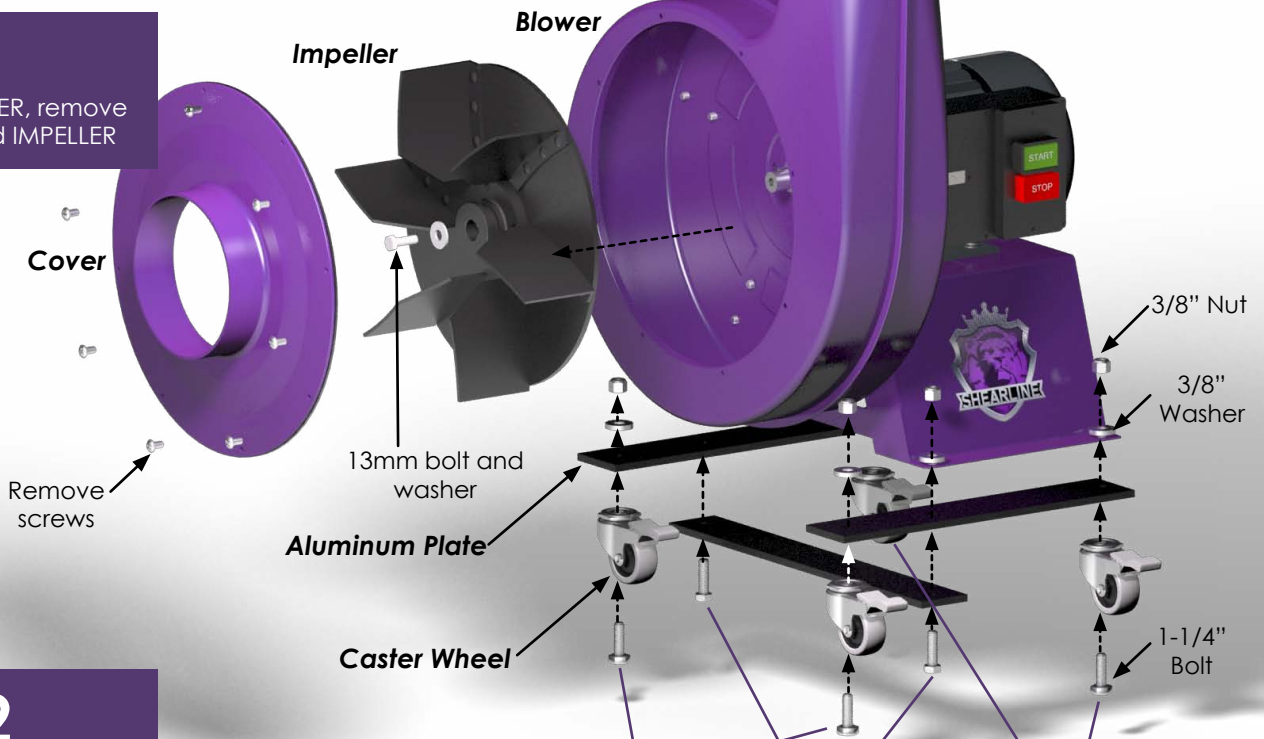
Instructions:

Clean with pressure-washer at 1500 - 2000 PSI, hot water, fan-spray setting
Run BLOWER for 5 minutes after washing, allowing components to dry
Avoid high pressure water contact on bearings

⚠ 220V
Operate at 220V only!

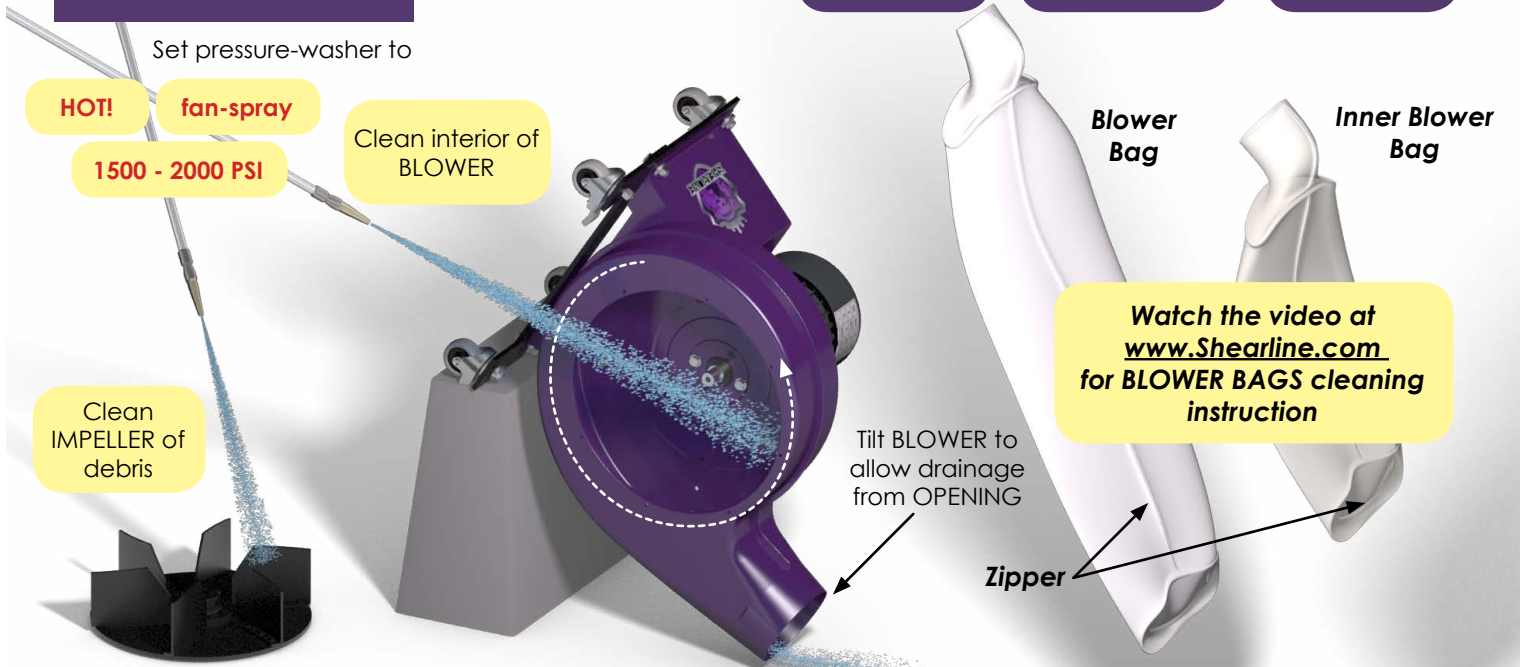
STEP 1

To clean BLOWER, remove the COVER and IMPELLER



STEP 2

Pressure-wash the IMPELLER and the Interior of BLOWER



Get more in-depth instructions and manuals at www.Shearline.com