



www.shearline.com



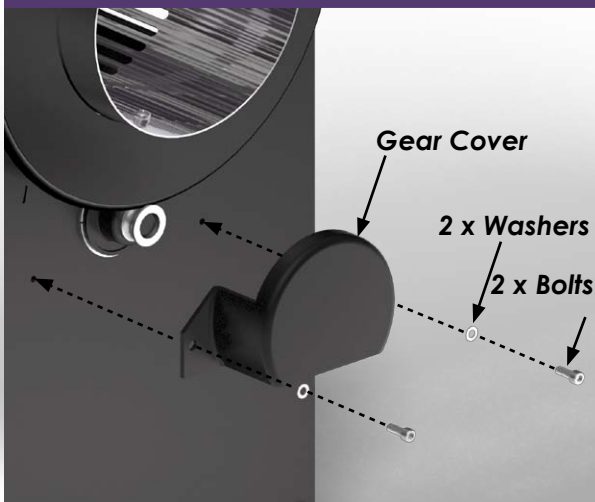
# COVER ASSEMBLY

It is UNSAFE to operate the SHEARLINE™ ORIGINAL without COVERS!

Shearline™  
Original

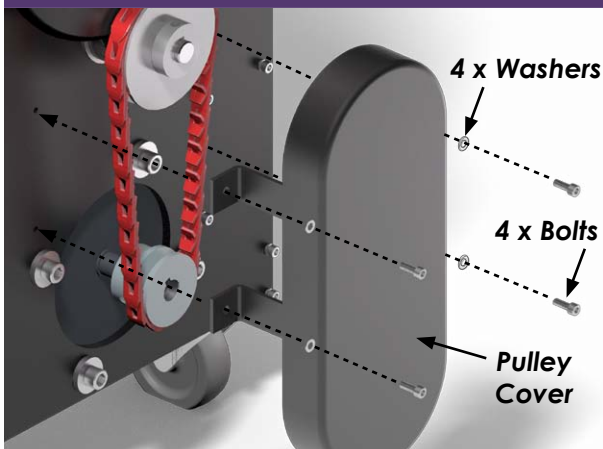
## STEP 1

Attach the GEAR COVER to the SHEARLINE™ ORIGINAL



## STEP 2

Attach the PULLEY COVER to the SHEARLINE™ ORIGINAL



Get more in-depth instructions and manuals at [www.Shearline.com](http://www.Shearline.com)