



www.shearline.com

Parts List

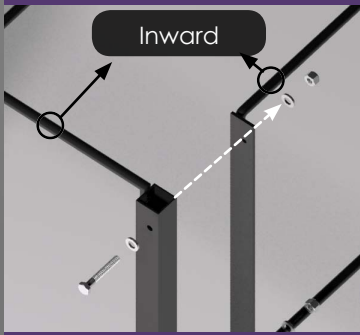
Hopper bag
Hopper frame
1/4" bolts (8)
1/4" Locking nuts (8)
Washers (16)



HOPPER ASSEMBLY

STEP 1

Assemble the FRAME



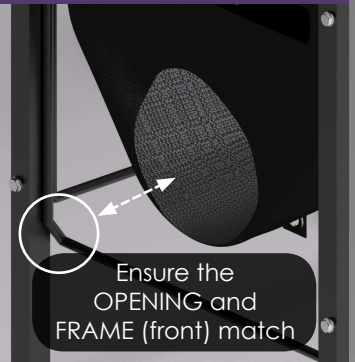
Ensure RODS are facing Inward

Secure with 1/4" BOLTS WASHERS and LOCKING NUTS

Hopper

STEP 2

Secure the HOPPER to the FRAME



Opening

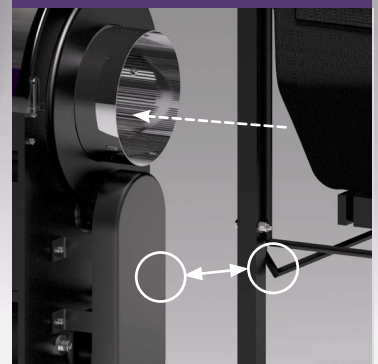
Frame (Back)

STEP 3

Locate the HOPPER to the SHEARLINE™ ORIGINAL

Ensure the FRAME and OPENING match the SHEARLINE™ ORIGINAL exactly

Frame (Front)



Get more in-depth instructions and manuals at www.Shearline.com